

Customer Request Form

SPECIFIC PRECISION POTENTIOMETER

CUSTOMER INFORMATION

Company name:

Name:

Position:

Address:

Tel.:

E-mail:

Date:

APPLICATION

Program/application:

Project type:

New project

Existing project

retrofit / replacement

Planing:

≤ 3 months

± 6 months

> 1 year

Total quantity estimation:

MECHANICAL CHARACTERISTICS

Movement:

[Rotary - multi or single turn, rectilinear]

Maximum Overhaul

Dimensions authorized:

Shaft diameter and type for Rotary Sensor:

[Plain shaft or hollow shaft]

Mounting Interface:

[Synchro, Bushing, screws, etc.]

Mechanical Stroke:

Shaft speed:

Starting & Running Torques:

Lifetime: [cycles]

ELECTRICAL CHARACTERISTICS

Resistance with tolerance:

[Nominal Resistance]

Effective electrical stroke:

Conformity or Linearity,

type and requested value:

Operating Voltage:

Type of electrical connexion:

[Flying leads, connectors, etc.]

ENVIRONMENTAL CONDITIONS

Operating Temperatures:

Storage Temperatures:

Sealing:

[None, water spray, dust, other]

Others:

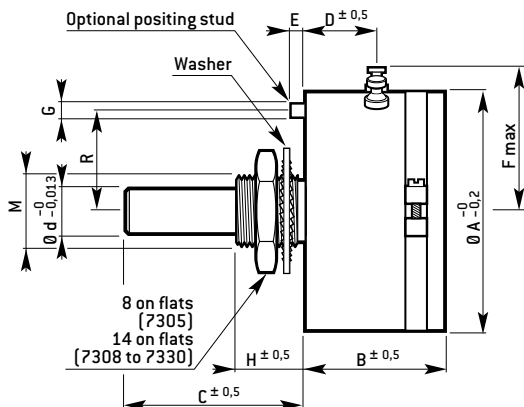
[Shocks, Vibrations, etc.]

SPECIFIC PRECISION POTENTIOMETER

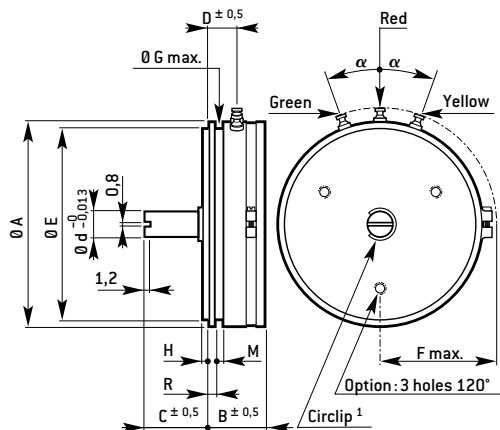
Customer Request Form

STANDARD MOUNTING INTERFACES FOR ROTARY POTENTIOMETERS

Bushing mounting example



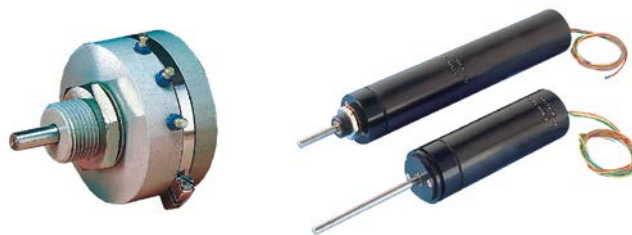
Servo mounting example



EXXELIA POTENTIOMETER INTERFACES

Standard Potentiometers (Rotary or rectilinear):

A standard potentiometer can be Rotary [multi or single turn] or Rectilinear.



Hollow Shaft Potentiometer:

A Hollow Shaft Potentiometer is a potentiometer with a bore through the centre of the potentiometer. The bore can enable potentiometer to be mounted on a shaft.



Separate Elements (Tracks + wipers):

A Separate Element is a potentiometer where the wipers are free, separated of the Potentiometer. The two parts must be fitted by the customer to their system.



Pancake Potentiometer:

A Pancake Potentiometer is a potentiometer in one part where there is no bearing [Alignment of the wipers / tracks must be performed by the customer].

